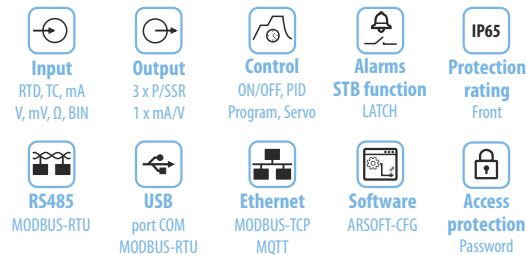


# AR682.B

## Universal controller with two row display



### Single channel process controller with autotuning PID parameters functions



Bargraph  
8-segment

- control and monitoring of temperature and other physical values (humidity, pressure, flow rate, level, speed, etc.) processed to a standard electrical signal
- configurable architecture enabling use in many fields and applications (industrial, heating, food, energy, etc.)
- **universal measuring input** (resistance thermometers, thermocouple, analogue 0/4÷20mA, 0÷10V, 0÷60mV, 0÷2,5kΩ)
- **2 function buttons** (F i SET) and digital input (**BIN**) for quick selection operating mode of controller, separately programmable: start/stop of control, manual/ automatic mode for outputs, step change of the set point value SP (day / night, with separate control parameters), keyboard lock, resetting errors and alarms STB (LATCH)
- **3 control/alarm outputs** ON/OFF type (two-state P/SSR) with independent functionalities and control algorithms:
  - ON-OFF with hysteresis (characteristics for heating and cooling, band alarms in range, out of range and with deviation for 3-position control)
  - **PID** (selection of independent 3 sets of parameters), advanced functions of automatic tuning of PID parameters, **smart logic**
  - programmed control characteristic (**process controller with timer**, up to **6 sections**, including 3 ramping sections - inclination for heating/cooling or for cooling/defrosting, 3 setpoints SP with ON-OFF or PID control, selection of the auxiliary output and its status, displaying remaining time for the entire section or after exceeding SP, etc.)
  - thermostat/ safety controller **STB** (alarm state open or closed, can be used as **LATCH alarm memory** e.g. when exceeds a threshold or a band)
  - ability to control a three-way mixing valve with an actuator (**step control, Servo**) with two contact inputs (open - close)
  - **manual mode** (open control loop) with initial value of control signal (MV) taken from current automatic mode or programmed by user
  - direct or inverse copy of the output 1 state (applies to outputs 2 and 3, can be used e.g. to implement **DPDT** changeover relay or to take over the function of the damaged P1)
  - **limiting** maximum level of output signal (**power**), also includes associated mA/V analog output
- **analog output 0/4÷20mA lub 0/2÷10V** for control or retransmission of measurements and set values:
  - getting control parameters from any associated two state output (1, 2, 3), both in automatic and manual mode
  - shockless (soft) switching of the output signal, e.g. after changing manual/automatic mode or control start/stop
  - correction (calibration) of range of changes of output signal (offset for end values to obtain non-standard ranges e.g. 2÷16mA or 1÷9V)
- **wide range of supply voltages (18÷265 Vac / 22÷350 Vdc)** and built-in power supply for supplying on-site transducers **24Vdc/30mA**
- readable LED display with adjustable brightness, typical **units of measurement** and signaling work status (messages, errors, etc.):
  - white color - measured value PV (upper row), units and symbols of status of outputs and serial transmissions (1, 2, 3, °C, %RH, mA, A, mV, V, m, . or none)
  - red, bottom row - selectable setpoints SP or 8-segment **bargraph** for MV (control signal), PV (measurement), output signal mA/V or none
- optional **RS485** serial interface, protocol **MODBUS-RTU** for reading measurements and parameter configuration
- optional **Ethernet** interface, protocol **MODBUS-TCP** i **MQTT** (for internet of things **IoT/M2M**, a cloud and mobile applications), possibility of data exchange via the **Internet**
- **USB interface** (micro USB port, standard equipment, for parameter programming, viewing measurements and updating firmware)
- automatic or fixed line resistance compensation for resistive sensors and temperature of cold thermocouple ends
- programmable type of input, indication range (for analog inputs), control options, alarms, display, communication, access, and other configuration parameters
- access to configuration parameters protected with a user password or without protection
- methods for configuring parameters:
  - via membrane keyboard IP65 located on the front panel
  - via USB, RS485 or Ethernet and freeware ARsoft-CFG (for Windows 7/10) or user application (using protocols MODBUS-RTU i TCP)
- free software ARSOFT-CFG (download from [www.apar.pl](http://www.apar.pl)) enabling the preview of measured value and quick configuration single or ready parameter sets previously saved on a computer for re-use, e.g. in other controllers of the same type (duplicate configuration)
- panel housing, IP65 from the front (after using an additional accessory gasket or other sealing), IP54 without a gasket
- modern technical solutions, intuitive and clear operation, **high accuracy** and long-term stability as well as resistance to interference
- optional to choose from (in the way of ordering): control outputs for SSR, analog output 0/2÷10V (instead 0/4÷20mA) and RS485 and Ethernet interface (RJ45 connector)

#### Contents of set:

- controller with handles mounting
- user manual and warranty card

#### Available accessories:

- gasket for IP65 tightness from the front
- USB cable (A - micro B) for connection with a computer, length 1.5 m
- USB to RS485 converter (with galvanic separation)

[www.apar.pl](http://www.apar.pl)

APAR, 05-090 Raszyn, ul. Gałczyńskiego 6

tel. +48 22 101-27-31, +48 22 853-48-56, email: [automatyka@apar.pl](mailto:automatyka@apar.pl)

## TECHNICAL DATA

<b>Number of measuring inputs</b>	1 universal (resistance thermometer RTD, thermocouple, analog mA/V/Ω)		
<b>Universal input</b> (programmable, 17 types, conversion A/C 18 bits), measuring ranges			
- Pt100 (RTD, 3- or 2-wire)	-200 ÷ 850 °C	- thermocouple R (TC, PtRh13-Pt)	-40 ÷ 1600 °C
- Pt500 (RTD, 3- or 2-wire)	-200 ÷ 620 °C	- thermocouple T (TC, Cu-CuNi)	-25 ÷ 350 °C
- Pt1000 (RTD, 3- or 2-wire)	-200 ÷ 520 °C	- thermocouple E (TC, NiCr-CuNi)	-25 ÷ 820 °C
- Ni100 (RTD, 3- or 2-wire)	-50 ÷ 170 °C	- thermocouple N (TC, NiCrSi-NiSi)	-35 ÷ 1300 °C
- thermocouple J (TC, Fe-CuNi)	-40 ÷ 800 °C	- current (mA, Rwe = 50 Ω)	0/4 ÷ 20 mA
- thermocouple K (TC, NiCr-NiAl)	-40 ÷ 1200 °C	- voltage (V, Rwe = 110 kΩ)	0 ÷ 10 V
- thermocouple S (TC, PtRh 10-Pt)	-40 ÷ 1600 °C	- voltage (mV, Rwe > 2 MΩ)	0 ÷ 60 mV
- thermocouple B (TC, PtRh30PtRh6)	300 ÷ 1800 °C	- resistance (R, 3- or 2-wire)	0 ÷ 2500 Ω
<b>Response time for measurements</b> (10÷90%)	0,2 ÷ 3,5 s (programmable, default ~0,5 s)		
<b>Resistance of leads</b> (RTD, R)	Rd < 25 Ω (for each line), compensation of line resistance		
<b>Resistive input current</b> (RTD, R)	400 μA (Pt100, Ni100), 200 μA (Pt500, Pt1000, 2500 Ω)		
<b>Processing errors</b> (at 25°C ambient temperature):			
- basic	- for RTD, mA, V, mV, R	0,1 % of the measurement range ±1 digi	
	- for thermocouples	0,2 % of the measurement range ±1 digi	
- additional for thermocouples		< 2 °C (compensation of temperature of cold ends)	
- additional from ambient temp. changes		< 0,004 % of the input range /°C	
<b>Indication range</b> (programmable)	total -1999÷9999 (maximum range of indications for analog inputs)		
<b>Display resolution / dot position</b>	programmable, 8 ÷ 8.8.8.8, for thermometric inputs 0,1 °C or 1 °C		
<b>Outputs P/SSR</b>	- relay P1÷P3	8A/250Vac (for resistance load) 1xSPDT, 2xSPST-NO, standard for outputs 1,2	
(3 separate)	- SSR1÷SSR3 (option)	transistor type NPN OC, 11V, current < 23mA, standard for output 3	
<b>Analogue output</b> (mA or V, without separation from input)	- current (standard)	0/4 ÷ 20 mA, obciążalność Ro < 1 kΩ, maks. rozd. 1,4 μA, 14 bit, aktywne	
	- voltage (option)	0/2 ÷ 10 V, load Io < 3,7mA (Ro > 2,7 kΩ), max resolution 0,7mV, 14 bit	
	- errors (at 25°C)	basic < 0,1 % output range, additional < 0,004 % /°C	
<b>Digital input BIN</b> (2-state)	contact or voltage < 24V, active level: short circuit or < 0,8V		
<b>Power</b> (Usup, universal, comply with the standards 24Vac/dc and 230Vac)	18 ÷ 265 Vac, < 3VA (alternating voltage, 50/60Hz) 22 ÷ 350 Vdc, < 4W (direct voltage)		
<b>Power supply of field transducers</b>	24Vdc/30mA		
<b>Communication interfaces</b>	- USB (micro type B, standard)	drivers for the Windows 7/8/10 (virtual serial port COM, communication with computer, MODBUS-RTU protocol, Slave)	
(independent, they can be used simultaneously)	- RS485 (option)	MODBUS-RTU protocol (Slave), bitrate 2,4÷115,2 kbit/s, programmable sign format (8N1, 8E1, 8o1, 8N2), galvanic separation	
	- Ethernet (option)	RJ45 connector, 10base-T, protocols TCP/IP: MODBUS-TCP (Server), MQTT (client, v.3.1.1), DHCP (client, ICMP (ping), galvanic separation	
<b>Display</b> (LED with brightness adjustment, signaling status of outputs and measuring units)	top row: white color, 7-segment, height digit 13 mm bottom row: red color, 7-segment, height digit 10,5 mm		
<b>Rated operating conditions</b>	0 ÷ 50°C, < 90 %RH (no condensation) air and neutral gases, no dust		
<b>Protection rating</b>	from front IP65 (with gasket) or IP54 (no gasket), IP20 connection side		
<b>Electromagnetic compatibility</b>	immunity: according to the PN-EN 61000-6-2, emission: PN-EN 61000-6-4		
<b>Safety requirements according to PN-EN 61010-1</b>	overvoltage category: II pollution degree: 2 voltage to the ground (earth): 300 V for power supply and output relay circuits 50 V for other inputs/outputs circuits and communication interfaces insulation resistance > 20 MΩ height above sea level < 2000 m		

## How to order

AR682.B /		Interface Ethernet * Code	
□ / □ / □ / □ / □		Ethernet (10base-T) RJ45	
<b>Output 1, 2, 3</b>	<b>Code</b>	<b>Analog output</b>	<b>Code</b>
relay	P	0/4 ÷ 20 mA	WA
SSR ***	S	0/2 ÷ 10 V **	WU
		<b>Interface RS *</b>	<b>Code</b>
		interface RS485	RS485

\* option for an extra fee  
\*\* output 0/2 ÷ 10 V it is mounted **instead** of the output 0/4 ÷ 20 mA (standard)  
\*\*\* order with only one SSR output is only available for output 3 (fully functional)

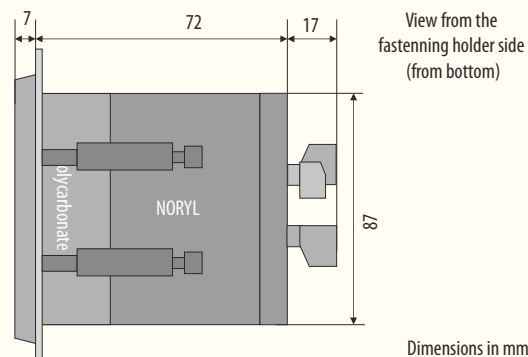
## Order examples (standard execution):

### AR682.B / P / P / S / WA

AR682.B, 1 and 2 relay outputs, output 3 for control SSR (NPN-OC), analog output 0/4 ÷ 20 mA (active), without RS485 and Ethernet interfaces

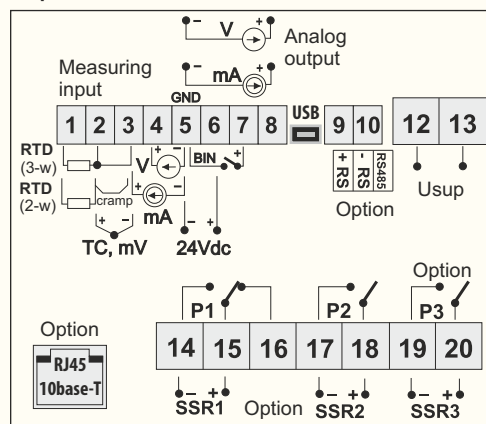
## INSTALLATION DATA

<b>Fixing methods</b>	panel, grips on the side of the enclosure
<b>Dimensions and weight</b>	96 × 96 × 79 mm (without connectors), ~280 g
<b>Panel window</b>	92 × 89 mm
<b>Material</b>	self-extinguishing NORLYL 94V-0, polycarbonate
<b>Conductor cross-sections</b> (separable connectors)	2.5mm <sup>2</sup> (supply and outputs P/SSR), 1.5mm <sup>2</sup> (other)

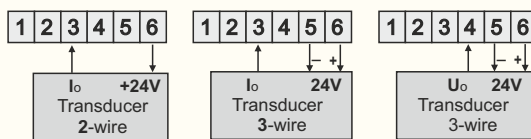


## TERMINAL STRIPS, ELECTRICAL CONNECTIONS

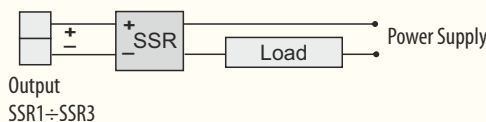
### 1. Description of connectors



### 2. Connection of a 2- and 3-wire transducer (Io - current, Uo - voltage output)



### 3. Connection of a SSR type relay to regulator's control output



### 4. Galvanic separation of circuits

