

AR594

Universal transmitter / separator with RS485 or RS232 output



- universal thermometric and analog input
- serial interface RS485 or RS232, protocol MODBUS-RTU slave
- programmable alarms for exceeded setpoints with hysteresis
- input type and other configuration parameters input type and other configuration parameters via AR950 or AR956 programmer or via the serial interface (RS485/232, MODBUS-RTU slave)
- LED signaling of exceeded processing range, sensor error, or alarm output status (on/off type) and presence of transmissions
- triple galvanic separation (input / output / power)
- high accuracy and immunity to interferences
- housing for mounting on a DIN rail, IP20
- possibility to power from AR956 programmer during parameter configuration

Contents of set:

- transmitter
- user manual
- warranty card

Accessories:

- programmer AR956
- programmer AR950

The AR956 programmer can be used to power the transmitter from the USB port during configuration.

How to order

AR594 / Serial interface : RS485 lub RS232

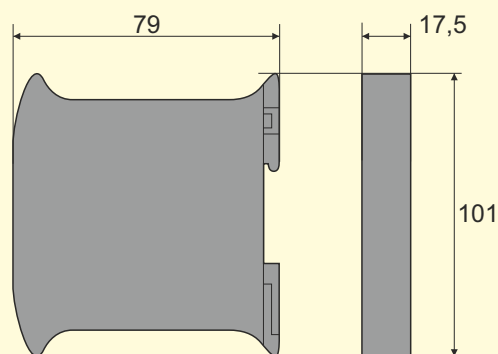
For example: AR594 / RS485
version with interface RS485

TECHNICAL DATA

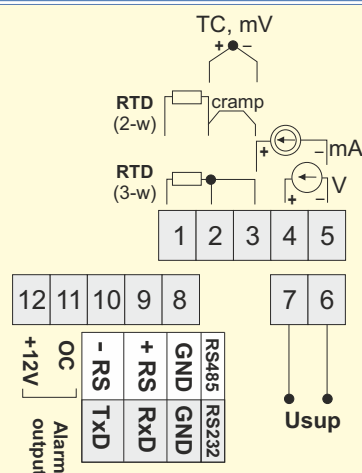
Input (programmable)	Pt100 (factory setting), Pt500, Pt1000, Ni100, (2- i 3-wire) J,K,S,B,R,T,E,N(compensation of temperature of the reference junction) 0/4÷20 mA, 0÷10 V, 0÷60 mV 0÷2,5 kΩ
Processing range	programmable in the input measuring range
Digital output	RS485 or RS232, protocol MODBUS-RTU slave
Basic processing error	0,1% of the measurement range
Additional error for thermocouples	<2 °C (cold ends temperature)
Input measurement period	134ms
Response time	270 ms (standard), programmable in range 134÷1500 ms
Transmission signaling	Red LED diod
Alarm output	12 V, bistate type OC (NPN), 440 Ω
Power supply	24 Vac/dc (18÷50 Vdc, 13÷35 Vac), <500mW
Separation	1,5kV, 50 Hz, 1min
Signaling of alarms and errors	red LED diode, output signals 3,8 mA or 21 mA
Rated operating conditions	0÷65 °C, 0÷90 %RH (non-condensing)

DIMENSIONS AND INSTALLATION DATA

Enclosure dimensions	79x101x17,5 mm
Fixing methods	on a 35 mm DIN rail
Material	polycarbonate, ABS UL94V-0



TERMINAL STRIPS AND ELECTRICAL CONNECTIONS



2014.07.07 version 2.0.0